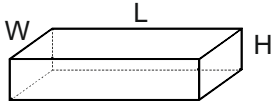
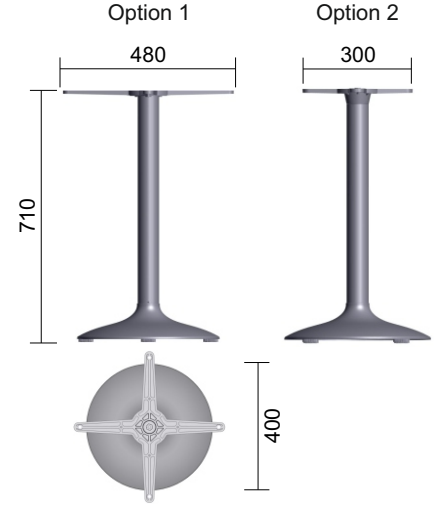


Type / Table Bases  
Collection / MA520



Pcs/box	Length (cm)	Width (cm)	Height (cm)	Gross Weight (~ kg)	Net Weight (~ kg)	CBM m <sup>3</sup> /box
1pcs/box	45	45	21	7,1	6,3	0,043

## Material

- Column Dia. 60 mm Aluminum Extrusion
- Base & Cross Aluminum High Pressure Die Casting

Recyclable product



## Technical Information

- Outdoor
- Corrosion Resistance
- Coated with electrostatic powder
- Precisely CNC machined
- Surface treatment processes
- Unstackable

## Coating

Electrostatic powder coating with certified class 1 high quality chemicals from top brands.

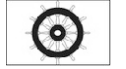
Color Options



## Certifications

Qualicoat Class 1: P-0145, P-0846, P-0673, P-0800, P-1661  
 GSB Florida 1: 171e  
 Marine CE 0575, CE 2690

- This powder coating complies with the European Directives "Restriction of the use of certain hazardous substances" 2011/65/EU and 2015/863/EU (RoHS)
- Meets the requirements of AAMA 2603-15
- Meets the requirements of EN 12206-1 (formerly BS 6496), EN 13438 (formerly BS 6497)
- Classification A2 (non flammable) of reaction to fire in accordance with NF EN 13501-1 + A1: 2013



## Maintenance

It is recommended to clean the products regularly especially in humid or marine climate locations to keep them in good condition for a long time. Clean the surfaces using a soft cloth with water or mild detergents. Prolonged and continuous exposure to intense UV radiation from sunlight or very low temperatures can negatively affect the coating therefore to keep products in sheltered places during non-use periods is strongly recommended.